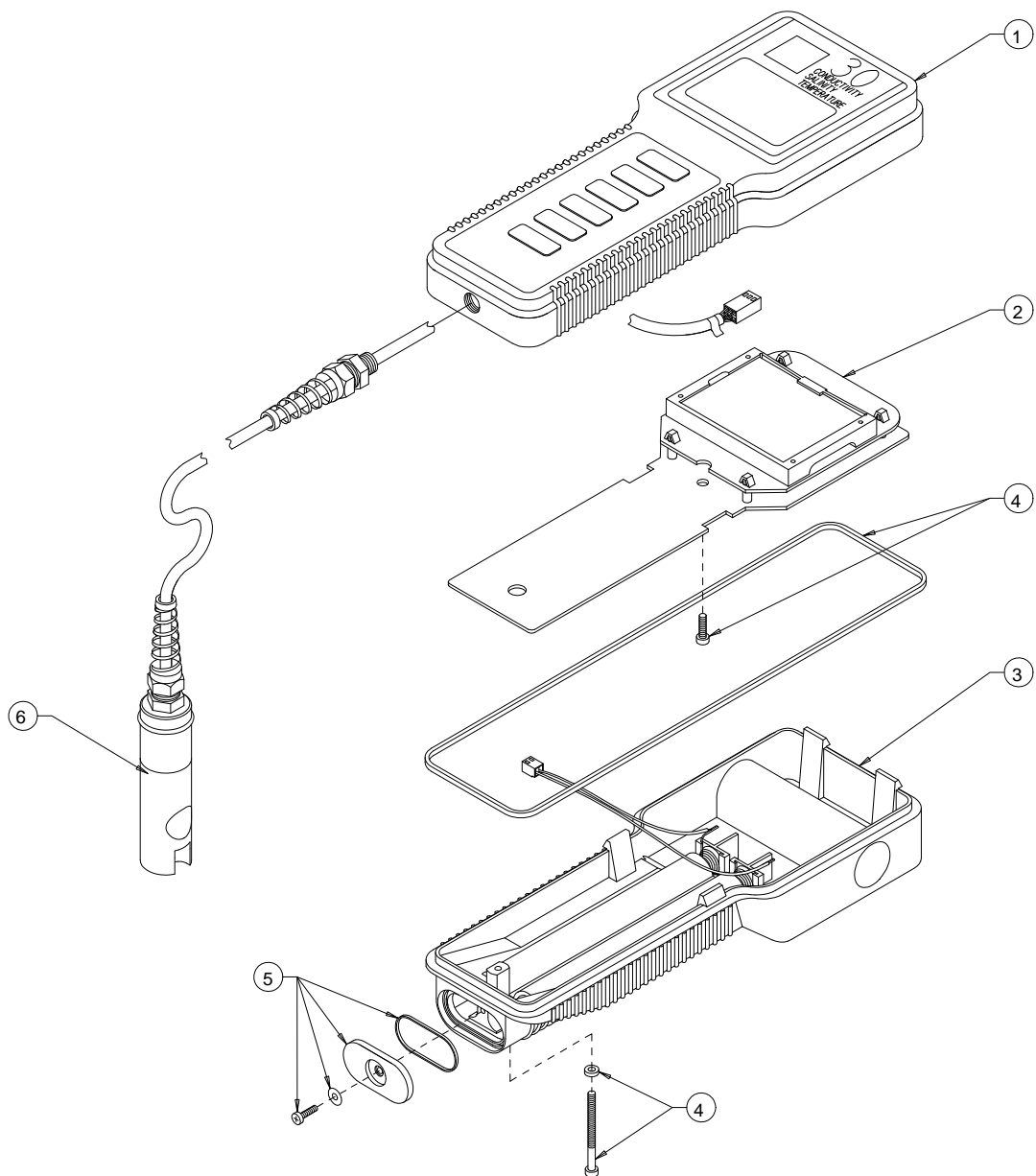


YSI Model 30 Assembly Drawing



Bubble	YSI Order Number	Description
1	030131	Front Case Assembly, W/Keypad
1	055213	Keypad Board Assembly
1	055216	Keypad
2	030133	Board Assembly, With Display, Non-CE Units
2	603156	Board Assembly, Without Display, CE Units ONLY (30M-100)
2	603158	Display, Board Assembly, CE Units ONLY (30M-100)
2	055214	LCD Display <u>ONLY</u>
2	115524	LCD Display Kit (includes: LCD, Bracket, Zebra Strips 2 ea.)
3	055242	Rear Case Assembly
4	055204	Kit, Case Hardware
5	055244	Kit, Battery Hardware
6	110030	Probe & Cable Assembly, 10 feet
6	110031	Probe & Cable Assembly, 25 feet
6	110032	Probe & Cable Assembly, 50 feet
6	110033	Probe & Cable Assembly, 100 feet, CE Units ONLY